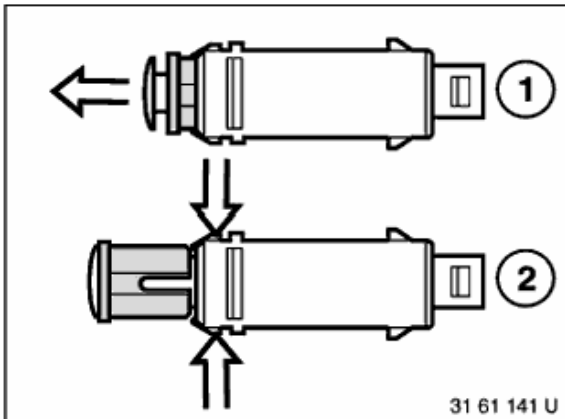
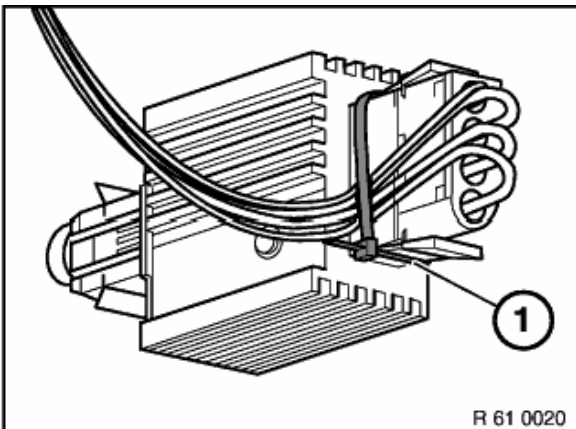


Removing instrument panelling at bottom left,  
refer to 61 31 016  
Disconnect connector.



Depress brake pedal as far as possible.

- 1: Pull tappet and sleeve forward completely.
- 2: Press together clips and pull back switch.



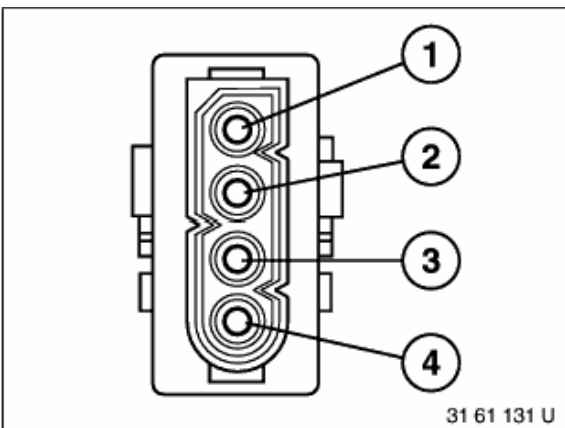
#### Installation note:

Adjustment is made automatically after installation.  
Slowly release pedal to neutral position.  
Tie back lead with cable clip (1).

#### Caution!

Adjustment of the switch can be changed if brake pedal  
springs back.

Check function.



Connector assignment for brake-light switch and brake-light-test  
switch:

- 1 and 2 brake light switches
- 3 and 4 brake light test switches

